



Project: Whitby Hospice
Prince of Wales / Crawford Street
Whitby, Ontario

Project ID: ROA23-001

Addendum: 2

Attention: Project Bidders

Date: June 7, 2024

This Addendum is hereby made a part of the Contract Documents and modifies the original Bidding Documents as noted below. The following additions, deletions and amendments shall be incorporated into the bid submission.

2.1 Refer to Contract Documents

- 1. Add to Price form – Appendix Alternate Price #1 – Exterior Cladding. Provide an alternate price to delete all exterior cladding and provide EFIS wall cladding and add batt insulation in stud cavity c/w 6 mil poly vapour barrier as per enclosed ADD2.1 – Partition Type “W1” throughout and “W2” for wing wall locations.

2.2 Refer to Specification Section 09 77 16 Fabric Wall Coverings

- .1 Bodaq Finishes is an acceptable manufacturer.

2.3 Refer to drawing A121 – Partial Reflected Ceiling Plan, Board room 118

- .1 Bulkhead height to be 14'-6" off Finish floor

2.4 Refer to drawing A723 – Glazing Schedule and Specification Section 08 11 16: Aluminum Window Framing

- .1 Revise glazing Unit G26, G27, G28, G31, G32 & G33 as per attached drawing ADD2.2-ADD2.4
- .2 Clarification All Glazing on exterior to be Black #29

2.5 Refer to Specification Section 07 21 29 Sprayed Insulation – Polyurethane Foam

- .1 Genyk 'Boreal Elite' (CCMC #14140-L) is an acceptable product.

2.6 Refer to attached Mechanical and Electrical Addendum #1 to be included.

END OF ADDENDUM

PREPARED BY THE CONSULTANT

Joseph Ouellette

Construction Administration | Principal

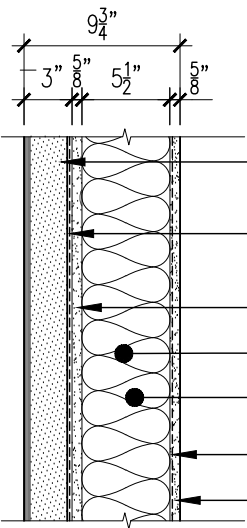
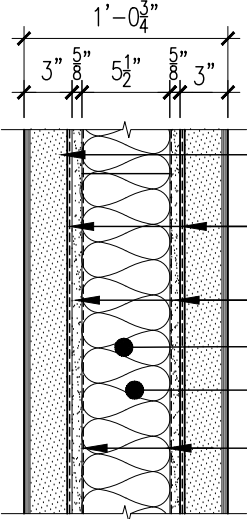
Signature

06-07-2024

Date: MM.DD.YEAR



EXTERIOR WALL TYPES

TYPE	DETAIL
<p>W5 SCALE 1"=1'-0"</p>	 <p>NOTE: REFER TO STRUCT. DWGS FOR LOCATIONS REQUIRING PLYWOOD SHEATHING & LSL STUDS. SUBSTITUTE FIBREGLASS MAT G.B SHEATHING & 2X6 WOOD FRAMING AS SHOWN BELOW</p> <ul style="list-style-type: none"> 3" EXTERIOR INSULATION FINISHING SYSTEM C/W CAVITY DRAINAGE FROM MANUFACTURER. REFER TO SPECIFICATIONS FOR FURTHER DETAILS. CONTINUOUS AIR BARRIER C/W TAPED AND OVERLAPPED JOINTS AS PER MANUF. RECOMMENDATIONS 5/8" FIBERGLASS MAT GYPSUM BOARD SHEATHING PACK STUD CAVITY WITH BATT INSULATION (R22) 5 1/2" (2X6) WOOD STUD FRAMING @ 16" O.C. MAX. 6 MIL. POLY VAPOUR RETARDER (CONTINUOUS) 5/8" GYPSUM BOARD (PT.) <p>EIFS ON LOADBEARING WOOD STUD</p>
<p>W6 SCALE 1"=1'-0"</p>	 <p>NOTE: REFER TO STRUCT. DWGS FOR LOCATIONS REQUIRING PLYWOOD SHEATHING & LSL STUDS. SUBSTITUTE FIBREGLASS MAT G.B SHEATHING & 2X6 WOOD FRAMING AS SHOWN BELOW</p> <ul style="list-style-type: none"> 3" EXTERIOR INSULATION FINISHING SYSTEM C/W CAVITY DRAINAGE FROM MANUFACTURER. REFER TO SPECIFICATIONS FOR FURTHER DETAILS. CONTINUOUS AIR BARRIER C/W TAPED AND OVERLAPPED JOINTS AS PER MANUF. RECOMMENDATIONS 5/8" FIBERGLASS MAT GYPSUM BOARD SHEATHING PACK STUD CAVITY WITH BATT INSULATION (R22) 5 1/2" (2X6) WOOD STUD FRAMING @ 16" O.C. MAX. 6 MIL. POLY VAPOUR RETARDER (CONTINUOUS) <p>EIFS ON LOADBEARING WOOD STUD WING WALL</p>

GENERAL NOTES

THE CONTRACTOR SHALL CHECK AND VERIFY ALL DIMENSIONS AND REPORT ANY ERRORS OR OMISSIONS TO THE ARCHITECT PRIOR TO COMMENCING OR PROCEEDING WITH ANY WORK ON THIS PROJECT. ALL DRAWINGS AND SPECIFICATIONS ARE THE PROPERTY OF THE ARCHITECT. COPYRIGHT 2020. THESE DRAWINGS AND SPECIFICATIONS ARE DESIGNED FOR THE CLIENT AND THE PROPERTY INDICATED ON THESE DRAWINGS ONLY AND SHALL NOT BE CONSTRUCTED FOR ANY OTHER CLIENT OR ANY OTHER PROPERTY. DO NOT SCALE DRAWINGS.

PROJECT IDENTIFICATION

WHITBY HOSPICE
-
WHITBY, ONTARIO
L1N 8Y8

CONSULTANT



67 KING STREET WEST, CHATHAM ON N7M 1C7
TEL . 519.397.0943 EMAIL . info@roastudio.com

DRAWING IDENTIFICATION

ASSEMBLY TYPES

DISCIPLINE SEAL

ROA INTERNAL INFO

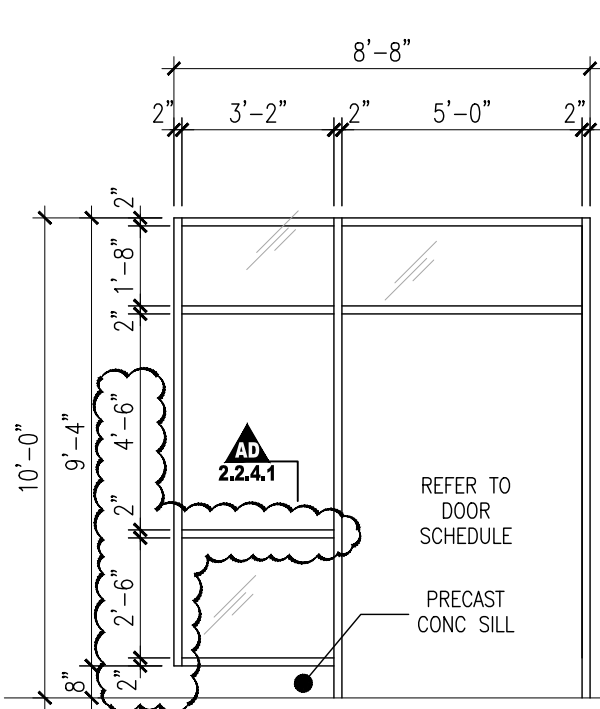
ARCHITECTURE

PROJECT ID | ROA23-001
DRAWN BY | R.VILLALTA
REVIEWED BY | J.OUELLETE
DATE | 06.06.2024
SCALE | AS NOTED

COPYRIGHT 2022

ROA23-001 WHITBY HOSPICE

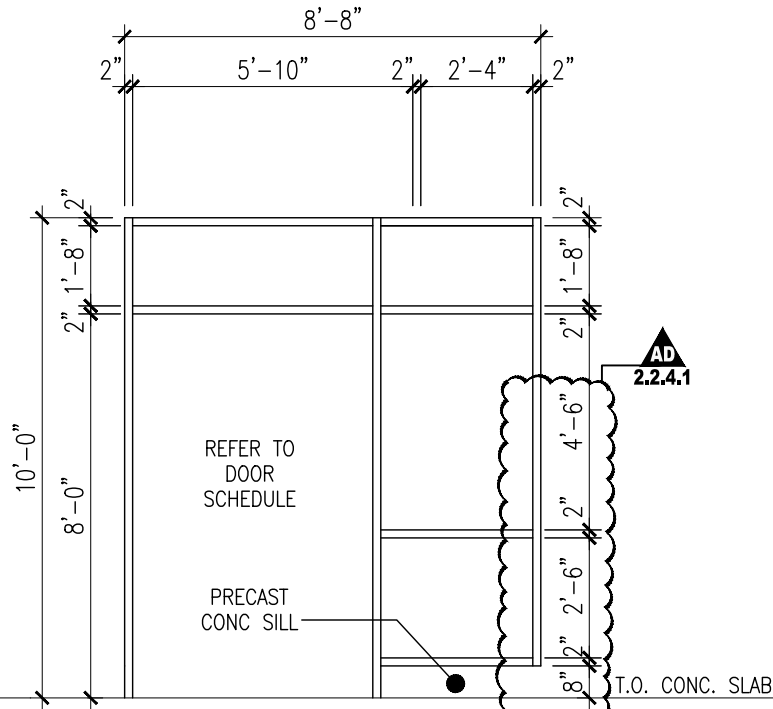
ADD2.1



GLAZING TYPE **G26**

EXTERIOR GLAZING:
 BASED ON KAWNEER 451UT SERIES
 KAWNEER FINISH #29

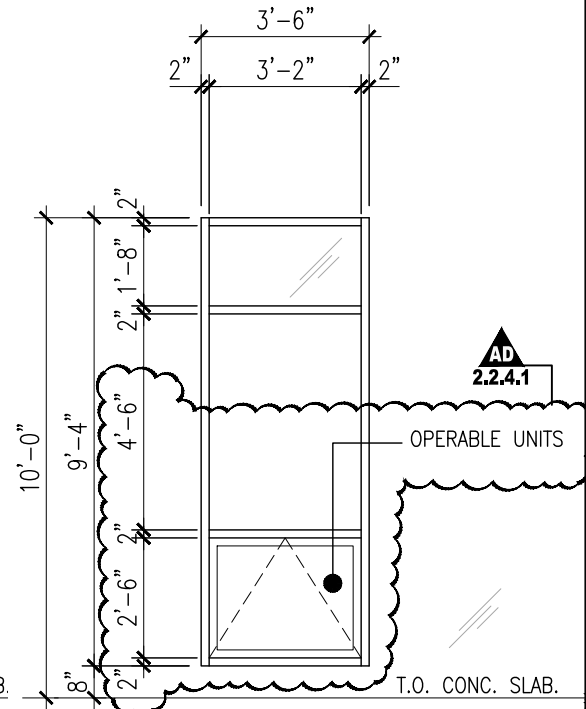
WINDOW COVERING TYPE
 WC2



GLAZING TYPE **G27**

EXTERIOR GLAZING:
 BASED ON KAWNEER 451UT SERIES
 KAWNEER FINISH #29

WINDOW COVERING TYPE
 WC2



GLAZING TYPE **G28**

EXTERIOR GLAZING:
 BASED ON KAWNEER 451UT SERIES
 KAWNEER FINISH #29
 OPERABLE: BASED ON KAWNEER GLASSvent PROJECT OUT
 - AWNING UNIT C/W KAWNEER FINISH #29

WINDOW COVERING TYPE
 WC2

ROA23-001 WHITBY HOSPICE

GENERAL NOTES

THE CONTRACTOR SHALL CHECK AND VERIFY ALL DIMENSIONS AND REPORT ANY ERRORS OR OMISSIONS TO THE ARCHITECT PRIOR TO COMMENCING OR PROCEEDING WITH ANY WORK ON THIS PROJECT. ALL DRAWINGS AND SPECIFICATIONS ARE THE PROPERTY OF THE ARCHITECT. COPYRIGHT 2020. THESE DRAWINGS AND SPECIFICATIONS ARE DESIGNED FOR THE CLIENT AND THE PROPERTY INDICATED ON THESE DRAWINGS ONLY AND SHALL NOT BE CONSTRUCTED FOR ANY OTHER CLIENT OR ANY OTHER PROPERTY. DO NOT SCALE DRAWINGS.

PROJECT IDENTIFICATION

WHITBY HOSPICE
 -
 WHITBY, ONTARIO
 L1N 8Y8

CONSULTANT



DRAWING IDENTIFICATION

GLAZING SCHEDULE

DISCIPLINE SEAL

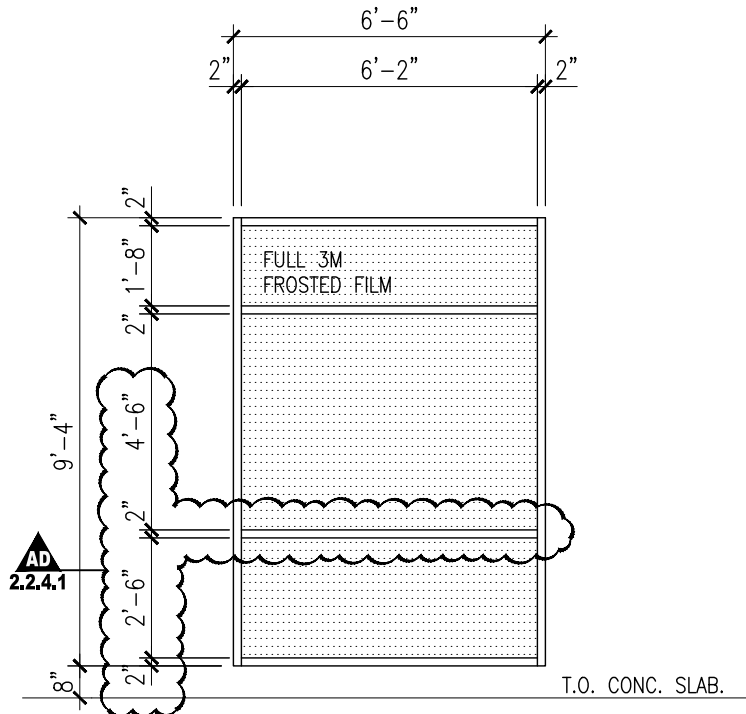
ROA INTERNAL INFO

ARCHITECTURE

PROJECT ID | ROA23-001
 DRAWN BY | R.VILLALTA
 REVIEWED BY | J.OUELLETE
 DATE | 06.06.2024
 SCALE | AS NOTED

COPYRIGHT 2022

ADD2.2

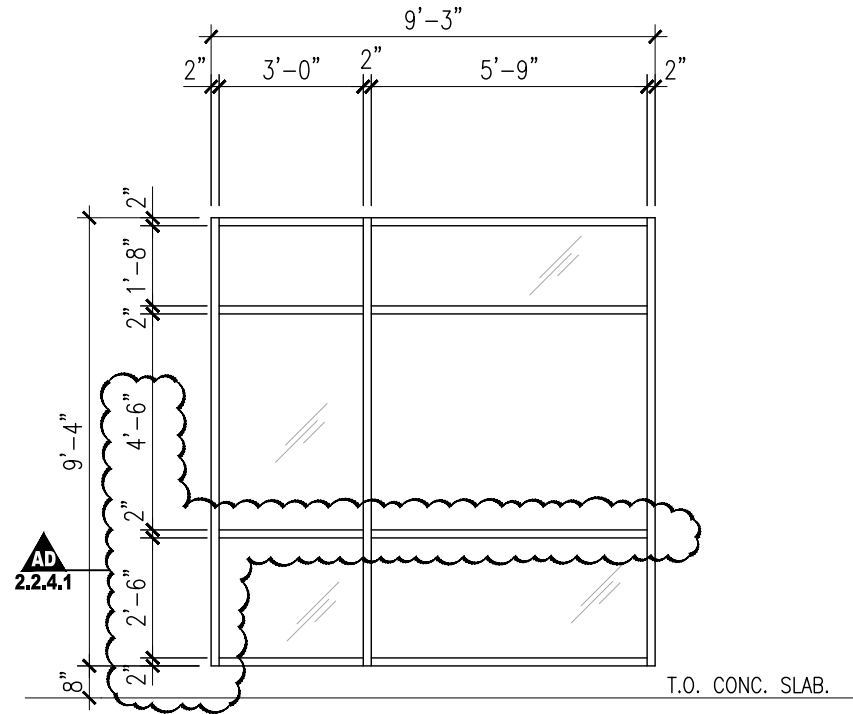


GLAZING TYPE **G31**

EXTERIOR GLAZING:
 BASED ON KAWNEER 451UT SERIES
 KAWNEER FINISH #29
 FULL 3M FROSTED FILM ON INTERIOR OF GLAZING UNIT

WINDOW COVERING TYPE

WC1



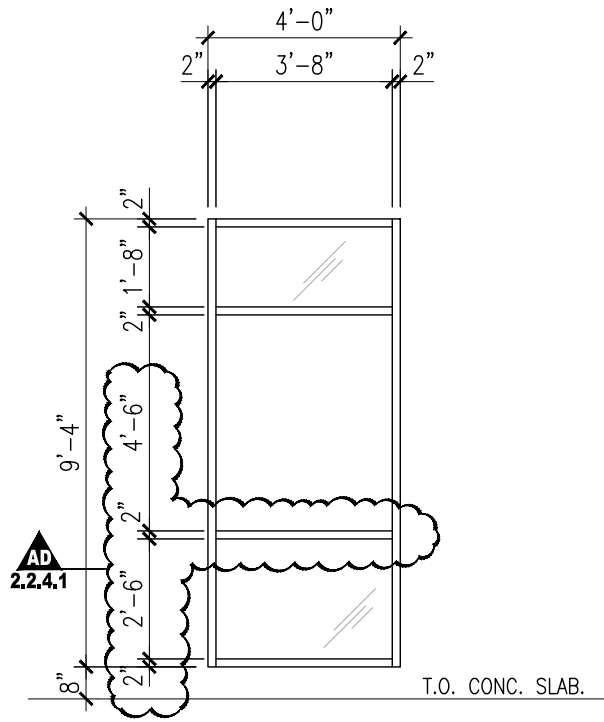
GLAZING TYPE **G32**

EXTERIOR GLAZING:
 BASED ON KAWNEER 451UT SERIES
 KAWNEER FINISH #29

WINDOW COVERING TYPE

WC1

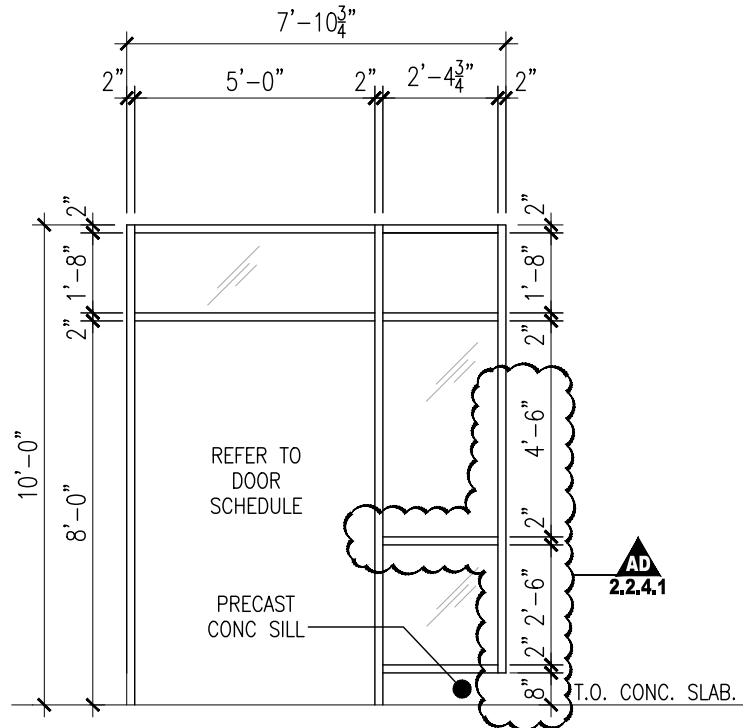
GENERAL NOTES	PROJECT IDENTIFICATION	CONSULTANT	DRAWING IDENTIFICATION	DISCIPLINE SEAL	ROA INTERNAL INFO	COPYRIGHT 2022
<p>THE CONTRACTOR SHALL CHECK AND VERIFY ALL DIMENSIONS AND REPORT ANY ERRORS OR OMISSIONS TO THE ARCHITECT PRIOR TO COMMENCING OR PROCEEDING WITH ANY WORK ON THIS PROJECT. ALL DRAWINGS AND SPECIFICATIONS ARE THE PROPERTY OF THE ARCHITECT. COPYRIGHT 2022. THESE DRAWINGS AND SPECIFICATIONS ARE DESIGNED FOR THE CLIENT AND THE PROPERTY INDICATED ON THESE DRAWINGS ONLY AND SHALL NOT BE CONSTRUCTED FOR ANY OTHER CLIENT OR ANY OTHER PROPERTY. DO NOT SCALE DRAWINGS.</p>	<p>WHITBY HOSPICE - WHITBY, ONTARIO L1N 8Y8</p>	 <p>67 KING STREET WEST, CHATHAM ON N7M 1C7 TEL . 519.397.0943 EMAIL . info@roastudio.com</p>	<p>GLAZING SCHEDULE</p>		<p>ARCHITECTURE</p> <p>PROJECT ID ROA23-001 DRAWN BY R.VILLALTA REVIEWED BY J.OUELLETE DATE 06.06.2024 SCALE AS NOTED</p>	<p>ADD2.3</p>



GLAZING TYPE **G33**

EXTERIOR GLAZING:
 BASED ON KAWNEER 451UT SERIES
 KAWNEER FINISH #29


WINDOW COVERING TYPE
 WC1



GLAZING TYPE **G34**

EXTERIOR GLAZING:
 BASED ON KAWNEER 451UT SERIES
 KAWNEER FINISH #29

WINDOW COVERING TYPE
 WC2

GENERAL NOTES	PROJECT IDENTIFICATION	CONSULTANT	DRAWING IDENTIFICATION	DISCIPLINE SEAL	ROA INTERNAL INFO	COPYRIGHT 2022
<p>THE CONTRACTOR SHALL CHECK AND VERIFY ALL DIMENSIONS AND REPORT ANY ERRORS OR OMISSIONS TO THE ARCHITECT PRIOR TO COMMENCING OR PROCEEDING WITH ANY WORK ON THIS PROJECT. ALL DRAWINGS AND SPECIFICATIONS ARE THE PROPERTY OF THE ARCHITECT. COPYRIGHT 2022. THESE DRAWINGS AND SPECIFICATIONS ARE DESIGNED FOR THE CLIENT AND THE PROPERTY INDICATED ON THESE DRAWINGS ONLY AND SHALL NOT BE CONSTRUCTED FOR ANY OTHER CLIENT OR ANY OTHER PROPERTY. DO NOT SCALE DRAWINGS.</p>	<p>WHITBY HOSPICE - WHITBY, ONTARIO L1N 8Y8</p>	 <p>67 KING STREET WEST, CHATHAM ON N7M 1C7 TEL . 519.397.0943 EMAIL . info@roastudio.com</p>	<p>GLAZING SCHEDULE</p>		<p>ARCHITECTURE</p> <p>PROJECT ID ROA23-001 DRAWN BY R.VILLALTA REVIEWED BY J.OUELLETE DATE 06.06.2024 SCALE AS NOTED</p>	<p>ADD2.4</p>

ADDENDUM

Project: **Whitby Hospice**
Crawforth Street
Whitby, Ontario

Date: June 7, 2024
File No: 7301.pt

The following additions, deletions and amendments are hereby made a part of the Tender Documents for the above noted project and shall be incorporated into the Bid Submission.

1.0 Title

1.1 Mechanical

2.0 References

2.1 Mechanical Book Specifications, Mechanical Work General Instructions 20 05 05, dated February 2024.

2.2 Mechanical Book Specifications, Automatic Control Systems 23 05 05, dated February 2024.

3.0 Description of Work

3.1 Delete Mechanical Work General Instruction 20 05 05, section 1.29.(6) - *Training Session DVD*. Not required.

3.2 Add Modern Niagara as acceptable control contractor for this project.

4.0 Reason for Change

4.1 Additional Information/Clarification

End of Add No. 1m